

## 1. Connections

### 1.1 Connecting Power

AC/DC 12-24V power can either be connected from door operator to the Power terminals, or DC12V power supply to the DC Jack.

Note: ONLY ONE power source can be applied.  
NEVER connect power to both power inputs.

When power is connected, both LEDs will flash once.

### 1.2 Connecting Door Operator(s)

There are 2 channels (CH 1 & CH 2) for controlling up to 2 door operators. Each channel can be connected to function as Push Button for one door operator.

Use a pair of bell wires to connect “COM” and “NO” on one channel to Push Button terminals on a door operator. ( Refer to Table 1 for adjusting control mode if necessary.)

### 1.3 Connecting External Aerial (Optional)

When installing external aerial with MCX connector, cut the original aerial wire off the board to ensure receiving range and quality.

## 2. Programming Transmitters

### 2.1 Adding a Code

To program a transmitter, press and release the switch corresponding to the desired channel (e.g. SW1 for Channel 1).

The LED (e.g. LED1 for Channel 1) will glow for 30 seconds. Press a button on transmitter or enter a PIN code on keypad. When the code is successfully programmed the LED will go off.

Upon activation from a programmed transmitter, the corresponding LED for the channel will flash twice.

Up to 20 codes can be programmed to a channel.

### 2.2 Erasing Codes

To erase ALL codes for a single channel, press and hold the corresponding switch (e.g. SW1 for Channel 1) for 5 seconds until the corresponding LED flashes 7 times.

To erase ALL codes for ALL channels, press and hold SW3 for 5 seconds until the both LEDs flash 7 times.

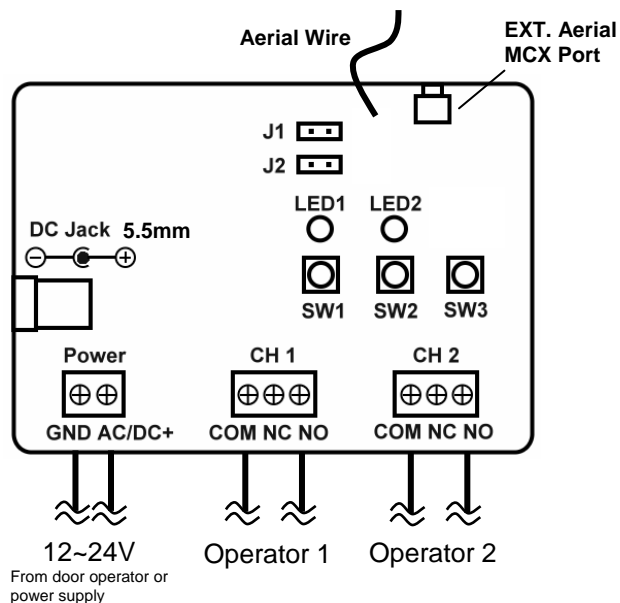




Fig. 1  
Connections



Fig. 2  
External Aerial with MCX Connector (Optional)

Table 1  
Jumper Selection

Jumper / Control Mode	 Open	 Short
J1 (CH 1)	Pulse	Latch
J2 (CH 2)	Pulse	Latch